



CONTENTS

Bearing Protectors

Introduction70
 Explanation of Item Numbers72



**Together
For Success**



Quality **BLACK HCE** Parts



INTRODUCTION

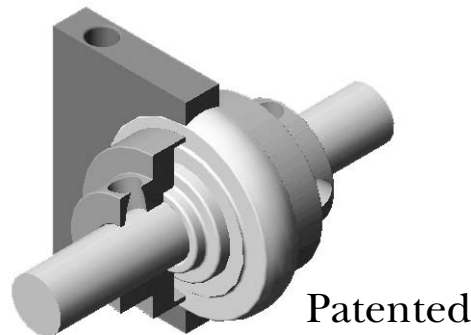
Black Ace[®] Bearing Protectors

- Made To Protect Your Bearings In Adverse Environments Such As Vine Wrap, Mud, Rocks And Other Foreign Particles
- Commonly Used In Conjunction With Spherical Bearings
- Made Of Steel For Toughness And Strength
- Made for Various Bearing Sizes And Brands
- Marked For Easy Identification
- Patented
- Design And Production For Custom Applications



The Black Ace[®] Bearing Protectors

Bearing protectors are basically bearing covers that provide a very minute space between the outside bearing race and the bearing protector itself. Most commonly used with spherical bearings that use an excentric locking collar. The bearing protectors are made special for each bearing brand, style and size. They mount on the bearing shaft from both sides of the bearing and are made from steel to withstand many adverse conditions. The Black Ace[®] bearing protectors work excellent in conjunction with Black Ace[®] steel bearing holders.



The Collar lock style bearing protector locks onto the bearing and shaft and butts against the shoulder of the inner race of the bearing. The protector's outer flange comes to within .005 of an inch clearance of the outer race of the bearing to keep heavy debris and all types of foreign particles away from the bearing seal.



Collar Locking Style



Extended Race Style



Flat Race Style



Explanation of Bearing Protectors Item Numbers

Dimensions of the inner race vary on different brands of bearings, therefore bearing protectors usually do not interchange between brands.

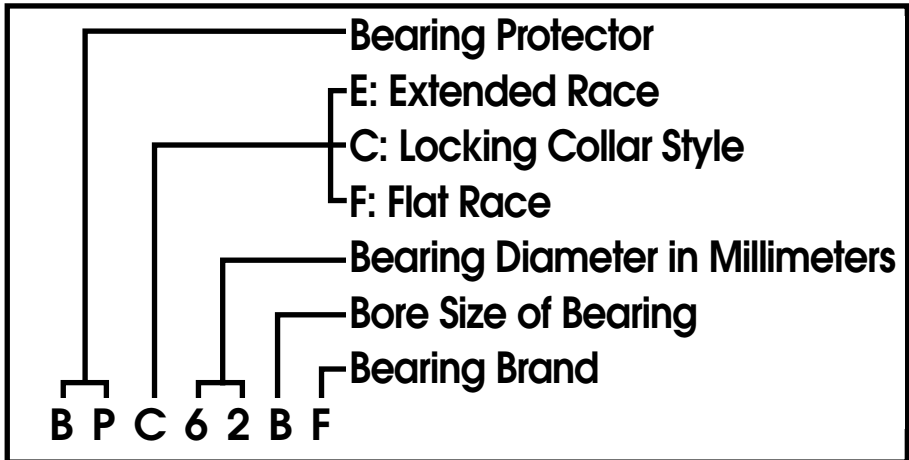


Figure 72A

BORE SIZES	
A = 1"	K = 1-5/16"
B = 1-1/4"	L = 1-11/16"
C = 1-3/8"	M = 1-3/4"
D = 1-15/16"	N = 1-1/2"
E = 2"	O = 1-5/8"
F = 2-7/16"	P = 2-1/2"
G = 1-3/16"	Q = 1-1/8"
H = 1-7/16"	R = 2-3/16"
I = 2-1/4"	S = 2-3/4"
J = 1-7/8"	

BEARING BRAND
B = Browning
D = Dodge
F = Fafnir
FM = Federal Mogul
I = IPTCI
L = Link Belt
P = Peer
R = RHP
S = SKF



Bearing Protectors

Below is a listing of Black Ace® bearing protectors. All bearing protectors are made to order with minimum run requirements.

Protector Number	Description
BPCG10EG	BP,LCK,GR,100 2 GENB,KH211-32
BPCG10EI	BP,LCK,GR,100 2 IPTCI
BPCP85MF	BP,LCK,85M 1-3/4 FAF
BPC10EF	BP,LCK,100M 2 FAF,G1200KPPB4
BPC10EL	BP,LCK,100M 2 LINK,YG232NL-E3L
BPC10RB	BP,LCK,100M 2-3/16 BR,UCS11FYH
BPC10RF	BP,LCK,100M 2-3/16F,G1203KPPB4
BPC10RL	BP,LCK,100M 2-3/16 LB,YG235E3
BPC10RS	BP,LCK,100M 2-3/16SK,YEL211203
BPC52ANA	BP,LCK,52M 1 AG TEST,NA20516
BPC52AS	BP,LCK,52M 1 SKF,
BPC52AST	BP,LCK,52M 1 SKF FLT,YET205100
BPC62BF	BP,LCK,62M 1-1/4FAF,G1103KPPB4
BPC62BL	BP,LCK,62M 1-1/4 LB,
BPC62BS	BP,LCK,62M 1-1/4 SKF,
BPC62GF	BP,LCK,62M 1-3/16FA,G1103KPPB3
BPC62QS	BP,LCK,62M 1-1/8SKF,YEL206102
BPC72BF	BP,LCK,72M 1-1/4FAF,G1104KRRB
BPC72BFM	BP,LCK,72M 1-1/4FM,WPS104-TRC
BPC72CF	BP,LCK,72M 1-3/8FAF,G1106KPPB2
BPC72CP	BP,LCK,72M 1-3/8PEER,
BPC72HB	BP,LCK,72M 1-7/16BRN,VE-223GA
BPC72HF	BP,LCK,72M 1-7/16FA,G1107KPPB2
BPC72HI	BP,LCK,72M 1-7/16IP,NA207-23L3



Chart Continued On Page 74

Quality

Parts



Bearing Protectors

Protector Number	Description
BPC80NF	BP,LCK,80M 1-1/2FA,G1108KPPB3
BPC80NFT	BP,LCK,80M 1-1/2 FAF,RA108RRB
BPC80NR	BP,LCK,80M 1-1/2RHP
BPC85MB	BP,LCK,85M 1-3/4BRN
BPC85MI	BP,LCK,85M 1-3/4 IP NA209-28L3
BPC85ML	BP,LCK,85M 1-3/4LB,YG228E3
BPC85MR	BP,LCK,85M 1-3/4RHP,T1045
BPC90DI	BP,LCK,90M 1-15/16 IPTCI
BPC90DP	BP,LCK,90M 1-15/16 PEER,210-31
BPC90EB	BP,LCK,90M 2 BROWNING,VF-1325
BPC90EL	BP,LCK,90M 2 LINK BELT,Y2E32N
BPC90EP	BP,LCK,90M 2 PEER,HC 210-32
BPE10ED	BP,EX,100M 2 DOD,SCM111211RX
BPE10EF	BP,EX,100M 2 FAF,G1200KPPB4
BPE10EL	BP,EX,100M 2 LINK,YG232NL-E3L
BPE10RB	BP,EX,100M 2-3/16 BR UCS11FYH
BPE10RF	BP,EX,100M 2-3/16 FAF
BPE10RL	BP,EX,100M 2-3/16 LB YG235E3
BPE10RS	BP,EX,100M 2-3/16SKF YEL211203
BPE52AF	BP,EX,52M 1 FAF G1100KRRB
BPE62BF	BP,EX,62M 1-1/4 FAF G1103KPPB4
BPE62BL	BP,EX,62M 1-1/4 LB
BPE62GF	BP,EX,62M 1-3/6 FAF G1103KPPB3
BPE62QS	BP,EX,62M 1-1/8 SKF YEL206102
BPE72CF	BP,EX,72M 1-3/8 FAF G1106KPPB2
BPE72CP	BP,EX,72M 1-3/8 PEER
BPE72HB	BP,EX,72M 1-7/16 BROWN VE-223
BPE72HF	BP,EX,72M 1-7/16FAF G1107KPPB2

Chart Continued On Page 75





Chart Continued From Page 74

Bearing Protectors

Protector Number	Description
BPE72HI	BP,EX,72M 1-7/16IP NA207-23L3
BPE80ND	BP,EX,80M 1-1/2 DODGE 208
BPE80NF	BP,EX,80M 1-1/2FAF G1108KPPB3
BPE85LP	BP,EX,85M 1-11/16PEER HC20927
BPE85MD	BP,EX,85M 1-3/4 DODGE 209
BPE85MI	BP,EX,85M 1-3/4 IP NA209-2BL3
BPE85ML	BP,EX,85M 1-3/4 LB YG228E3
BPF62BL	BP,FLT,62M 1-1/4 LB
BPF62BS	BP,FLT,62M 1-1/4 SKF
BPF85MF	BP,FLT,85M 1-3/4 FAF RA112RRB
BPF85ML	BP,FLT,85M 1-3/4 LB RA112RRB
BPS10ED	BP,EX,2SET,80M 2 DODGE
BPT80XM	BP,TPL,80M,52M,1"SQ,FM
BPT80XMA	BRG ASSY/BRG PRTCTR,DS208TTR6

We custom make protectors for your manufacturing needs.

**BLACK
HCE**



Quality

Parts

75



To Order Black Ace® Parts

Please use our fax #
218-478-3622
or call
800-423-3918.

We encourage fax orders.

Please do not email orders at this time. We are currently developing an online ordering system, and we will contact you when it is available.

When ordering custom-made-to-order parts we require that you sign a print or sketch to ensure that you get the correct parts.

Your order will be acknowledged by fax upon request.

For your convenience you may copy and use the order form on the back side of this page.

Thank you in advance for your order.

