



CONTENTS

Spherical Bearing Holders (Pillow Blocks)

Introduction	62
Clock Style	63
Rectangular Solid & Split Style	64
Teardrop Style	65
Flange Style	66
Sleeve Style	67



**Together
For Success**



Quality

Parts



INTRODUCTION

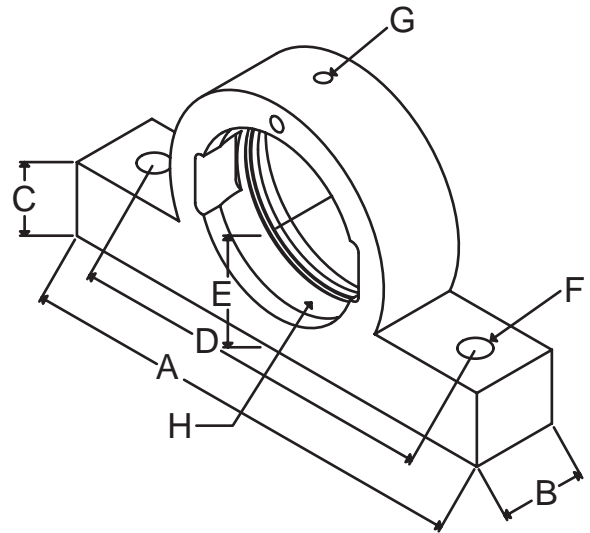
Black Ace[®] Spherical Bearing Holders

- Tough Steel Bearing Holders Don't Break
- Compact Design To Take Up Less Room
- Weldable Styles
- Marked For Easy Identification
- Design And Production For Custom Applications



Clock Style Bearing Holders

These Black Ace® clock style bearing holders are used in many applications where strength and limited mounting space is required. Please refer to the table below for specifications.



Clock Style Bearing Holder Reference Table

ALL DIMENSIONS IN INCHES

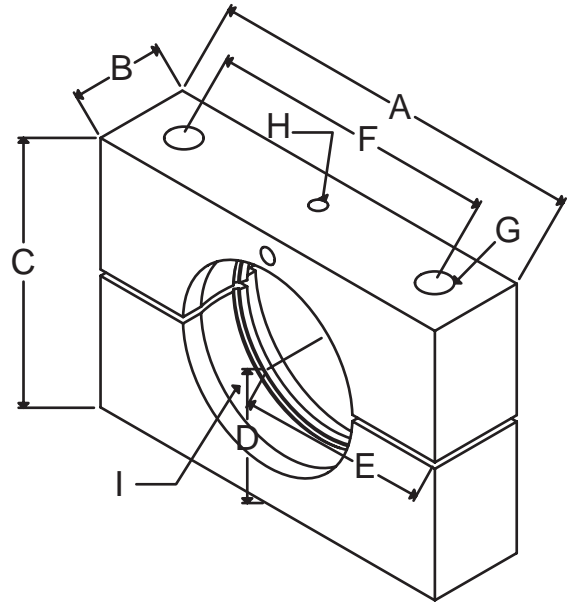
Item #	A	B	C	D	E	F	G	H
BH62	6.5	1.25	.62	4.62	1.56	.56	1/4 -28	62 mm
BH72	6.5	1.25	.62	5.0E*	1.87	.56	1/4 -28	72 mm
BH80	7.25	1.25	1.25	5.37	1.94	.56	1/4 -28	80 mm
BH85	7.37	1.25	.62	5.75	2.12	.56	1/4 -28	85 mm
BH100-2	8.75	1.25	1.25	7.00	2.5	.76	1/4 -28	100 mm
BH100G	8.75	1.00	1.30	7.00	2.5	.62	1/4 -28	100 mm
BH100RB	8.75	1.25	1.25	6.75	2.5	.76	1/4 -28	100 mm
BH120	11.00	2.00	2.5	8.00E*	3.00	.79	1/8 - 27 NPT	120 mm
BH125	11.00	2.00	2.00	9.00	3.50	.76	1/4 -28	125 mm

*Elongated Holes



Solid & Split Style Bearing Holders

These Black Ace® solid and split style rectangular spherical bearing holders are extremely strong and are used where standard pillow blocks lack strength or require too much mounting surface. The split style bearing holders are commonly used where there is great difficulty in replacing bearings.



Solid & Split Style Bearing Holder Reference Table

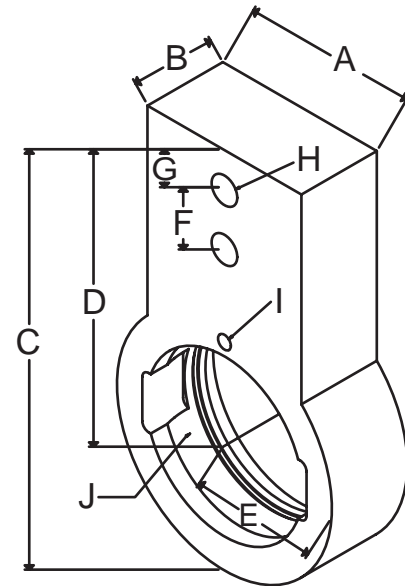
ALL DIMENSIONS IN INCHES

Item #	A	B	C	D	E	F	G	H	Split	Bottom Tapped Hole	Insert Size I
BH52V	4.0	1.25	2.87	1.31	2.0	3.0	.44	1/4 - 28	No	-	52 mm
BH52S	4.0	1.25	2.87	1.31	2.0	3.0	.37	1/4 - 28	Yes	3/8 - 16	52 mm
BH62V	4.0	1.25	2.97	1.31	2.0	3.0	.44	1/4 - 28	No	-	62 mm
BH62S	4.0	1.25	2.87	1.31	2.0	3.0	.37	1/4 - 28	Yes	3/8 - 16	62 mm
BH721V	4.5	1.25	3.81	1.97	2.25	3.75	.53	1/4 - 28	No	-	72 mm
BH72S	4.5	1.25	3.81	1.87	2.25	3.75	.5	1/8 - 27 PIPE	Yes	1/2 - 13	72 mm
BH85V	7.0	1.25	4.5	2.25	3.5	5.75	.65	None	No	-	85 mm
BH85S	7.0	1.25	4.18	2.06	3.5	5.65	.5	1/4 - 18 PIPE	Yes	1/2 - 13	85 mm
BH90S	8.0	1.5	4.5	2.18	4.0	6.18	.62	1/4 - 18 PIPE	Yes	5/8 - 11	90 mm
BH100S	8.0	1.5	5.0	2.44	4.0	6.94	.62	1/4 - 18 PIPE	Yes	5/8 - 11	100 mm
BH110S	9.0	1.5	5.5	2.69	4.5	7.41	.62	1/4 - 18 PIPE	Yes	5/8 - 11	110 mm



Teardrop Style Bearing Holders

These Black Ace® teardrop bearing holders can take shock loads without breaking and are adaptable for a wide range of uses.



Teardrop Style Bearing Holder Reference Table

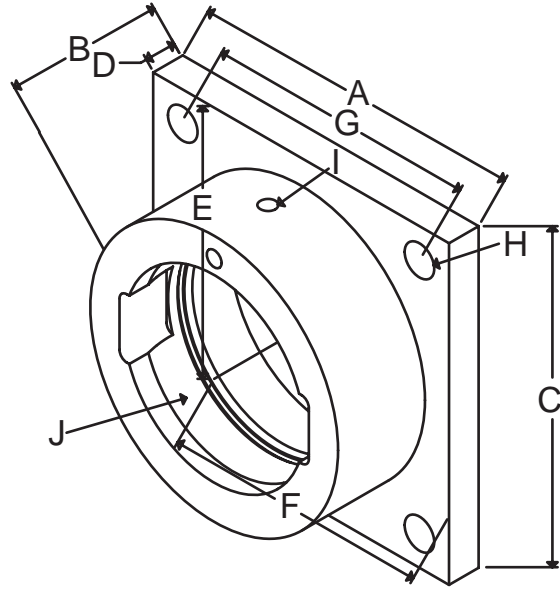
ALL DIMENSIONS IN INCHES

Item #	A	B	C	D	E	F	G	H	I	Insert Size J
BHTD520	1.50	1.00	4.62	3.12	1.50	1.00	.44	.41	-	52 mm
BHTD620	1.87	1.00	5.50	3.75	1.75	.625 to 1.25	.5	.41	-	62 mm
BHTD621	1.87	1.00	7.25	5.50	1.75	1.75	.75	.53	-	62 mm
BHTD720	2.00	1.00	6.50	4.5	2.00	1.50	.68	.53	-	72 mm
BHTD800	2.00	1.00	6.50	4.5	2.00	1.50	.68	.53	-	80 mm
BHTD100	3.00	1.00	9.62	7.0	2.62	0	1.0	.65	-	100 mm
BHDT101	3.00	1.00	7.12	4.5	2.62	0	1.06	.69	-	100 mm



Flange Style Bearing Holders

These Black Ace® flanged style steel bearing holders are used where there are severe loads and room constraints. These holders don't break!



Flange Style Bearing Holder Reference Table

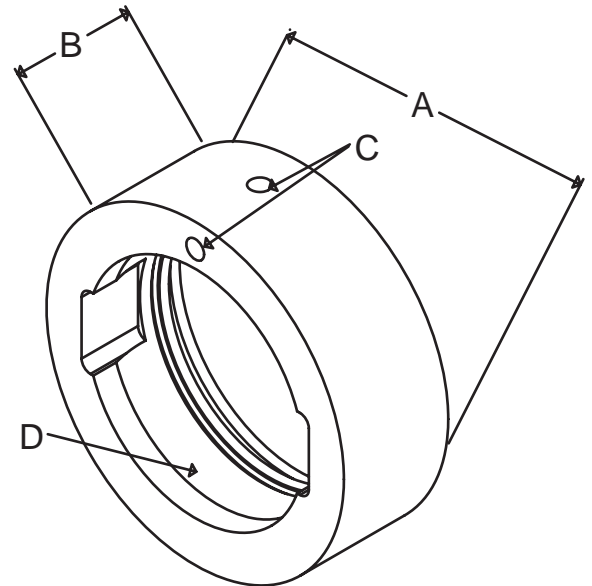
ALL DIMENSIONS IN INCHES

Item #	A	B	C	D	E	F	G	H	I	J	Round Flange	BHC	Holes
BH528	-	.80	-	.45	1.18	1.72	-	.33	-	52mm	3.45	3.00	3
BH72F	5.0	1.0	5.0	.62	1.75	2.5	3.62	.56	1/4 -28	72mm	No	5.13	4
BH85F	5.5	1.5	5.5	.62	1.92	2.75	4.12	.53	1/4 -28	85mm	No	5.83	4
BH8537	-	1.0	-	.62	1.87	2.85	-	.53	1/4 -28	85mm	5.7	4.75	4
BH90F6	-	1.75	-	.50	2.12	2.97	-	.56	1/4 -28	90mm	5.95	5.13	4
BH90F61	-	1.39	-	.92	2.12	2.97	-	.53	None	90mm	5.95	5.13	4
BH100FA	7	2.0	7	.62	2.5	3.5	5.12	.65	1/4 -28	100mm	No	7.25	4
BH100FP	5.5	1.4	5.5	.80	2.23	2.75	4.12	.53	1/4 -28	100mm	No	5.83	4



Sleeve Style Bearing Holders

The Black Ace® sleeve spherical bearing holders are mostly used in manufacturing applications where they are welded into position. These sleeves can be made with grease grooves and zerks and modified for various custom designs.



Sleeve Style Bearing Holder Reference Table

ALL DIMENSIONS IN INCHES

Item #	A	B	C	D
BS5223	2.37	1.00	-	52 mm
BS6235	3.50	1.50	1/4 - 28	62 mm
BS7241F	3.70	1.00	-	72 mm
BS7251F	4.95	1.00	-	72 mm
BS8540	4.00	3.00	-	85 mm
BS10052	5.20	1.25	-	100 mm
BS10060	5.95	1.25	-	100 mm



To Order Black Ace® Parts

Please use our fax #
218-478-3622
or call
800-423-3918.

We encourage fax orders.

Please do not email orders at this time. We are currently developing an online ordering system, and we will contact you when it is available.

When ordering custom-made-to-order parts we require that you sign a print or sketch to ensure that you get the correct parts.

Your order will be acknowledged by fax upon request.

For your convenience you may copy and use the order form on the back side of this page.

Thank you in advance for your order.

